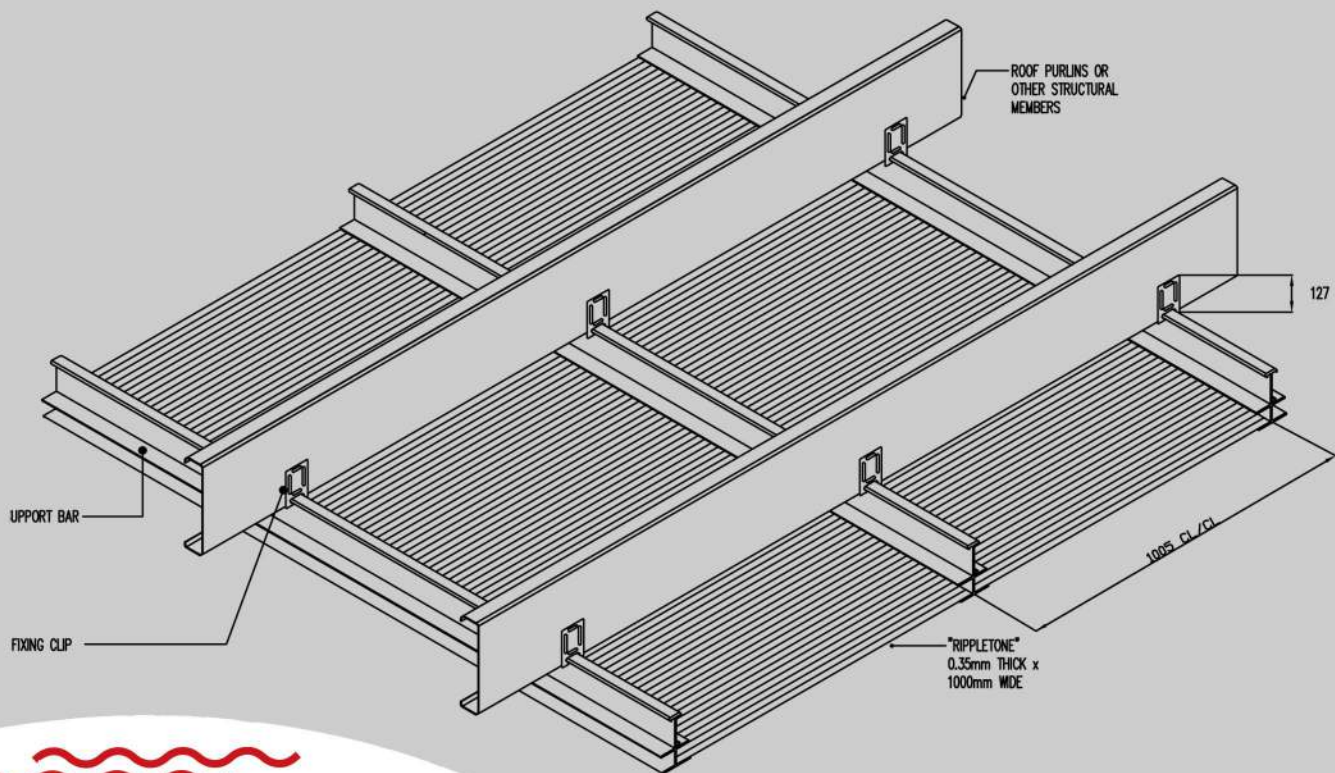


Guide Specification



RippleTone



The acoustic ceiling is to be RippleTone, as supplied by Renhurst Ceilings Pty Ltd.

RippleTone is to be:

Material: 0.35 gauge aluminium
Width: 1000mm wide,
Perforation: 2.38 diameter hole (11% open area)
Pitch: Standard profile 30mm / Bold Profile 50mm
Finish: Off-white bonded colour / Metallic Silver bonded colour
NRC: 0.80
Weight: 2kg/ m² including FasTrack suspension system.

RippleTone is to be installed in the FasTrack suspension system and is to include the lamination of a woven ceramic/ glass fibre yarn cloth to the back of the perforated sheet.

The ceiling system must be installed in accordance with the appropriate procedures as approved by the manufacturer.

